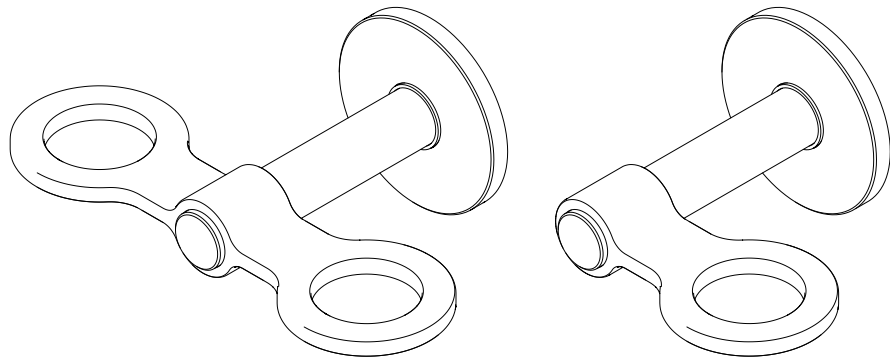
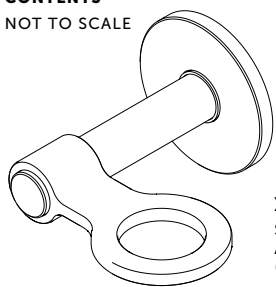


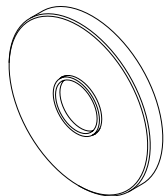
SOAP HOLDER / CAST SINGLE / DOUBLE INSTALLATION MANUAL



CONTENTS NOT TO SCALE



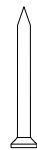
x1
SOAP HOLDER
ASSEMBLY
(SINGLE/DOUBLE)



x1
ROSE COVER
PLATE



x1
END CAP

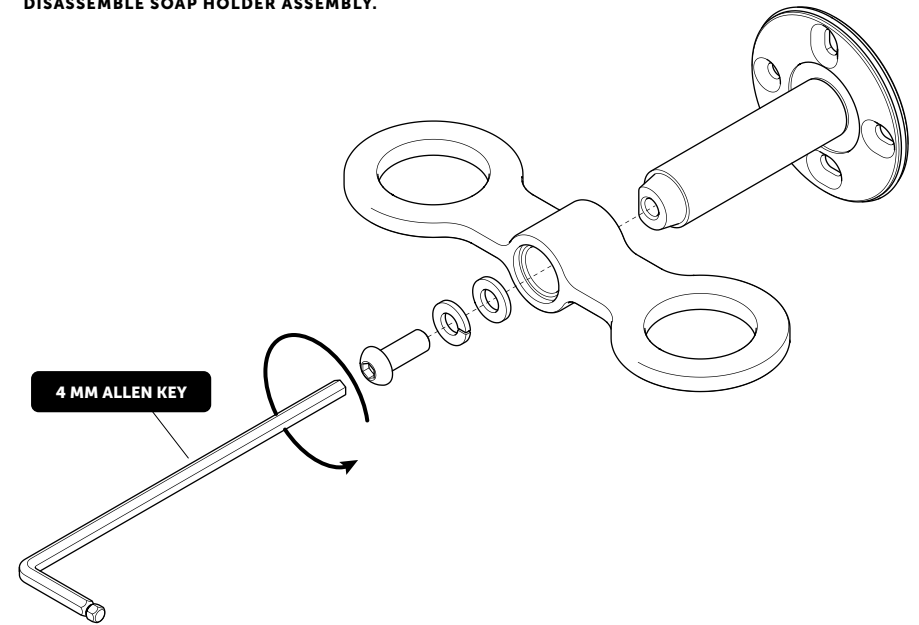


x4
3.5 MM
SCREWS

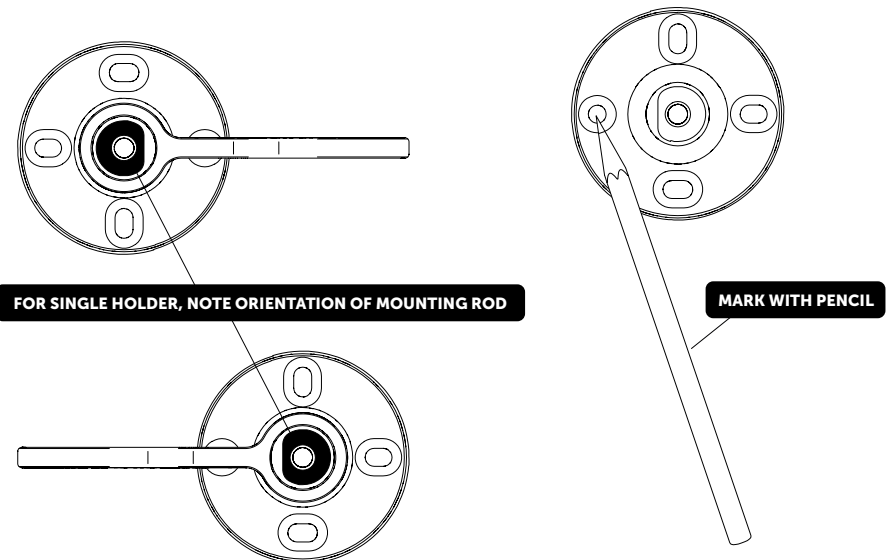


x4
3.5 MM
WALL PLUGS

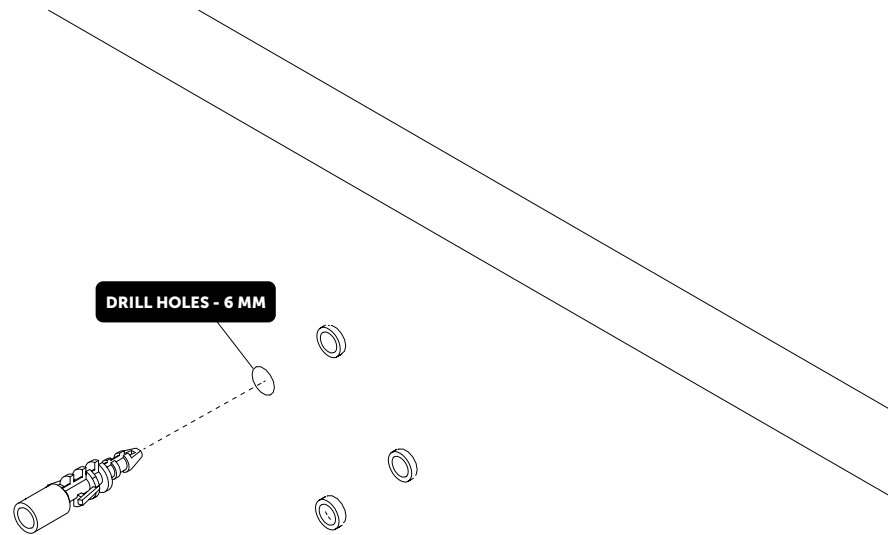
1 DISASSEMBLE SOAP HOLDER ASSEMBLY.



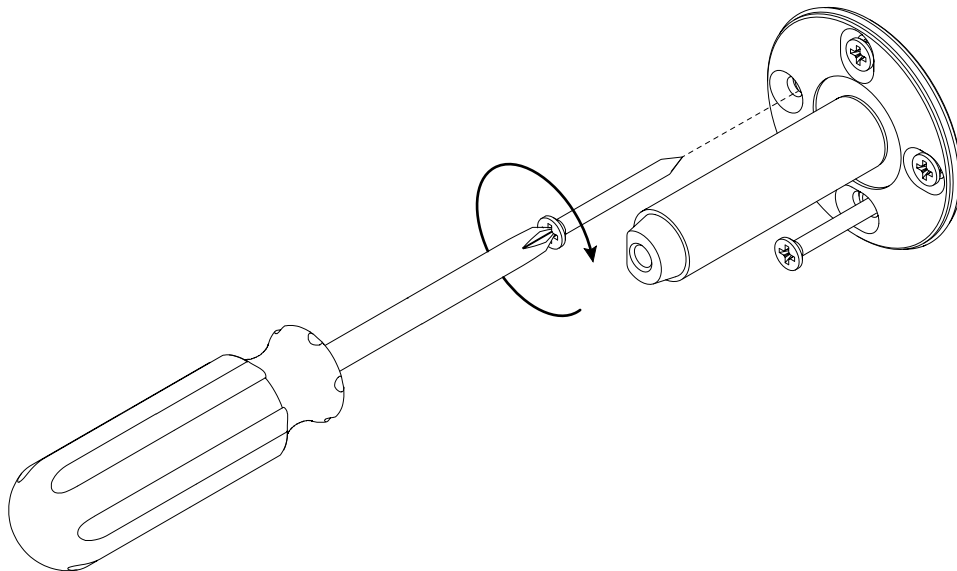
2 MARK FIXING HOLES.



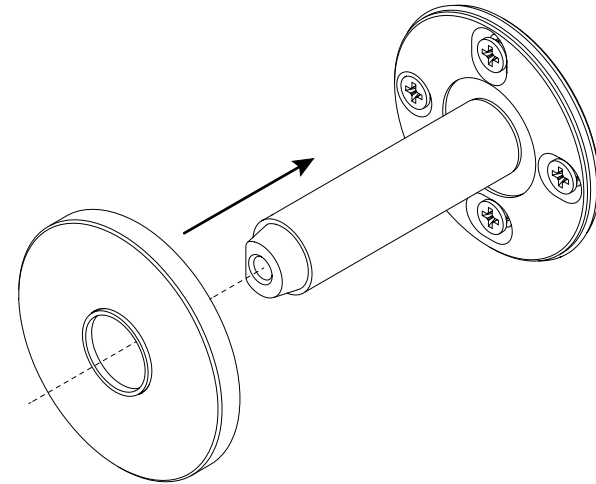
3 DRILL HOLES IN WALL / SURFACE AND INSERT WALL PLUGS.



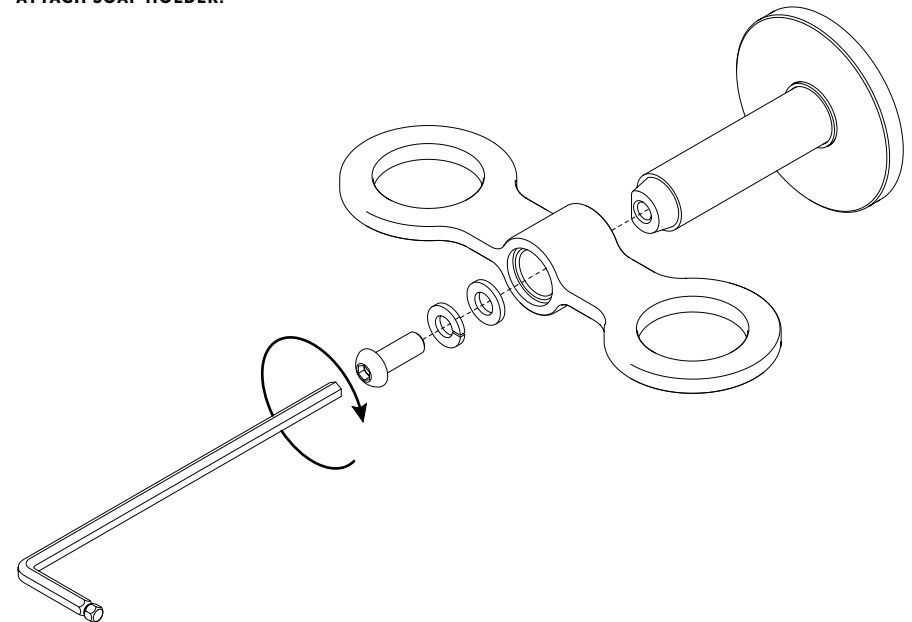
4 SCREW FIXING ROSE TO WALL.



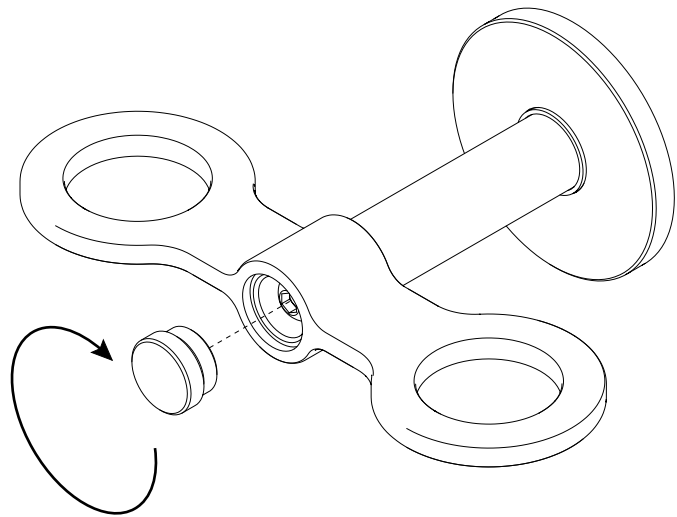
5 FIT COVER PLATE TO FIXING ROSE.



6 ATTACH SOAP HOLDER.



7 SCREW IN END CAP.



8 FIT SOAP BOTTLES.

