

T-BAR / CROSS

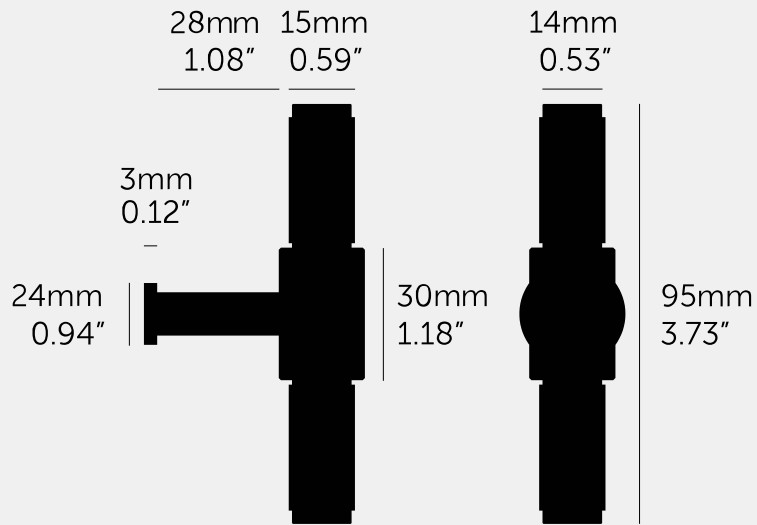
ACTION: T-BAR

KNURL: CROSS

RANGE: T-BARS

A T-Bar handle made from solid metal. A solid base with diamond-cut knurled handle detailing, ensuring pleasure with every touch. Works great on cabinet doors, cupboards, kitchen units and just about anything that can open. Complete with a small disk.





SPECIFICATIONS

Handle is fitted from behind cabinet door and can not be front face fitted.*Fits doors & draws of max 20mm.

INCLUDED

1x T-Bar 1 x M5 x 30 mm screw*1 x Washer 2 x Counter Sunk Wood Screw 2 x Coin screws 1x Back plate

FINISH & SKU NUMBERS

sku:	finish:	size:
UTB-023975	● black	
UTB-054561	● brass	
UTB-094588	● smoked bronze	
UTB-074567	● steel	
UTB-134487	● warm sunset	

PLEASE NOTE

DISCLAIMER: Always consult a trade professional when installing these pull bars. Buster + Punch is not responsible for the usage or feasibility of installation requirements. This product is not suitable for damp or wet environments.

CARE INSTRUCTIONS

Wipe with damp cloth with no loose hairs, avoid using any chemicals. All finishes are prone to aging.